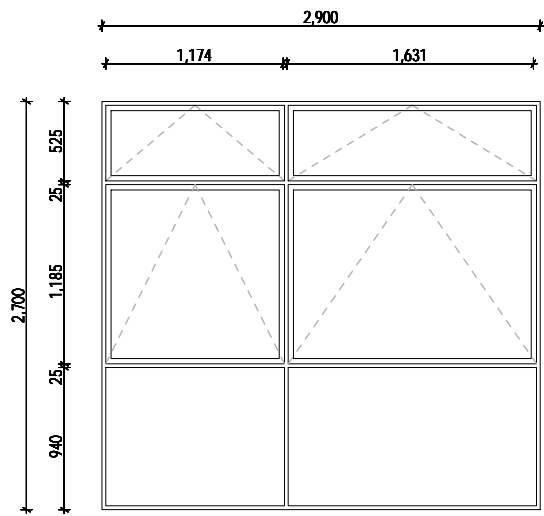
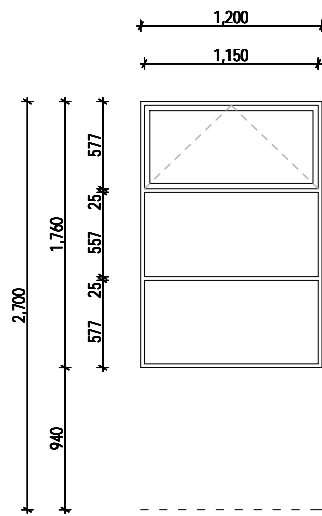


FOR CONSTRUCTION



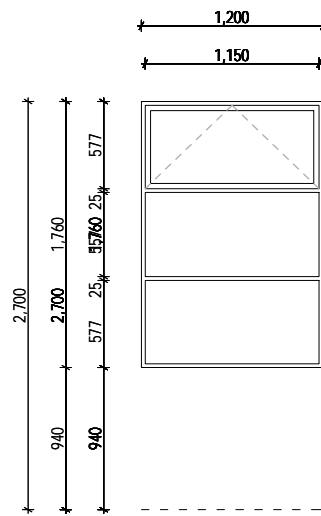
W-1-04

Window	Atlantic high performance commercial suite 48mm flush beaded
Glass	Double glazed laminated safety to code
Hardware	TBA
Finish	Metallic silver powder coated
Reveal	Grooved H3.1 25mm, enamel painted
Other	Always refer to fire report with consideration to windows perpendicular to boundary



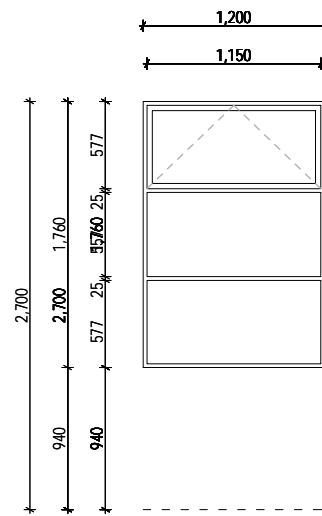
W-1-05

Window	Atlantic high performance commercial suite 48mm flush beaded
Glass	Double glazed laminated safety to code
Hardware	TBA
Finish	Metallic silver powder coated
Reveal	Grooved H3.1 25mm, enamel painted
Other	Always refer to fire report with consideration to windows perpendicular to boundary



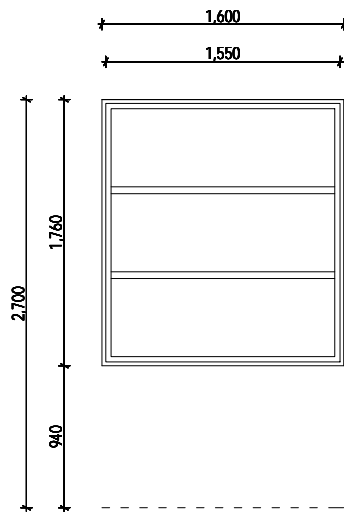
W-1-06

Window	Atlantic high performance commercial suite 48mm flush beaded
Glass	Double glazed laminated safety to code
Hardware	TBA
Finish	Metallic silver powder coated
Reveal	Grooved H3.1 25mm, enamel painted
Other	Always refer to fire report with consideration to windows perpendicular to boundary



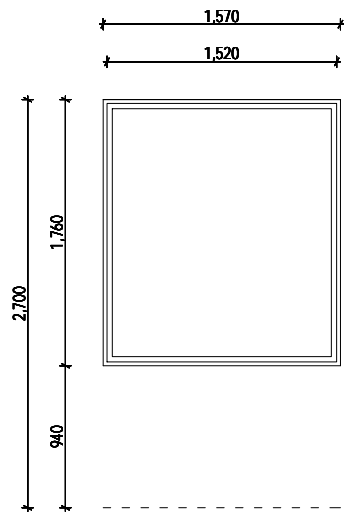
W-1-07

Window	Atlantic high performance commercial suite 48mm flush beaded
Glass	Double glazed laminated safety to code
Hardware	TBA
Finish	Metallic silver powder coated
Reveal	Grooved H3.1 25mm, enamel painted
Other	Always refer to fire report with consideration to windows perpendicular to boundary



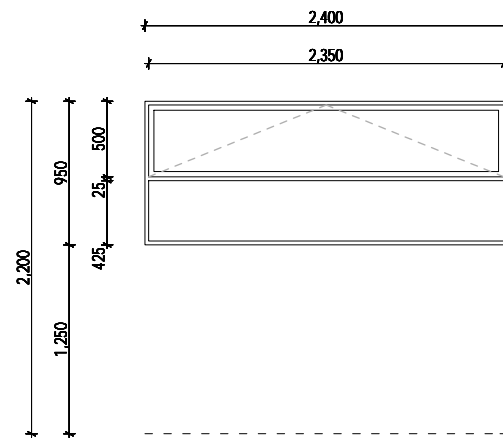
W-1-08

Window	Atlantic high performance commercial suite 48mm flush beaded
Glass	Double glazed laminated safety to code
Hardware	TBA
Finish	Metallic silver powder coated
Reveal	Grooved H3.1 25mm, enamel painted
Other	Always refer to fire report with consideration to windows perpendicular to boundary



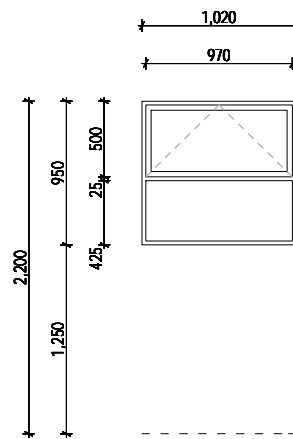
W-1-09

Window	Atlantic high performance commercial suite 48mm flush beaded
Glass	Double glazed laminated safety to code
Hardware	TBA
Finish	Metallic silver powder coated
Reveal	Grooved H3.1 25mm, enamel painted
Other	Always refer to fire report with consideration to windows perpendicular to boundary



W-2-01

Window	Atlantic high performance commercial suite 48mm flush beaded
Glass	Double glazed laminated safety to code
Hardware	TBA
Finish	Metallic silver powder coated
Reveal	Grooved H3.1 25mm, enamel painted
Other	Always refer to fire report with consideration to windows perpendicular to boundary



W-2-02

Window	Atlantic high performance commercial suite 48mm flush beaded
Glass	Double glazed laminated safety to code
Hardware	TBA
Finish	Metallic silver powder coated
Reveal	Grooved H3.1 25mm, enamel painted
Other	Always refer to fire report with consideration to windows perpendicular to boundary

ALL DIMENSIONS ARE TO BE VERIFIED ON SITE BY THE BUILDER AND CHECKED WITH THE DESIGNER PRIOR TO STARTING ANY WORK. ALL WORK DETAILED ON THESE DRAWINGS ARE TO COMPLY WITH THE LATEST VERSIONS OF THE NZBC AND NZS3604. ALLOW TO REFER TO ALL STRUCTURAL ENGINEERS DRAWINGS AND SETOUTS DURING CONSTRUCTION AND SETOUT OF THE WORK.

NOTES

PROJECT NAME
NEW COMMERCIAL DEVELOPMENT
24 ROBERTS ST, TAUPO
FOR SR and AR Alderton Family Trusts

Drawn	JA
Checked	
DATE	BC ISSUE 07-10-11
REV	TENDER ISSUE REV B 20.12.11

Drawing Title

Door Window

Scale
1:50

Drawing Number
SC-04