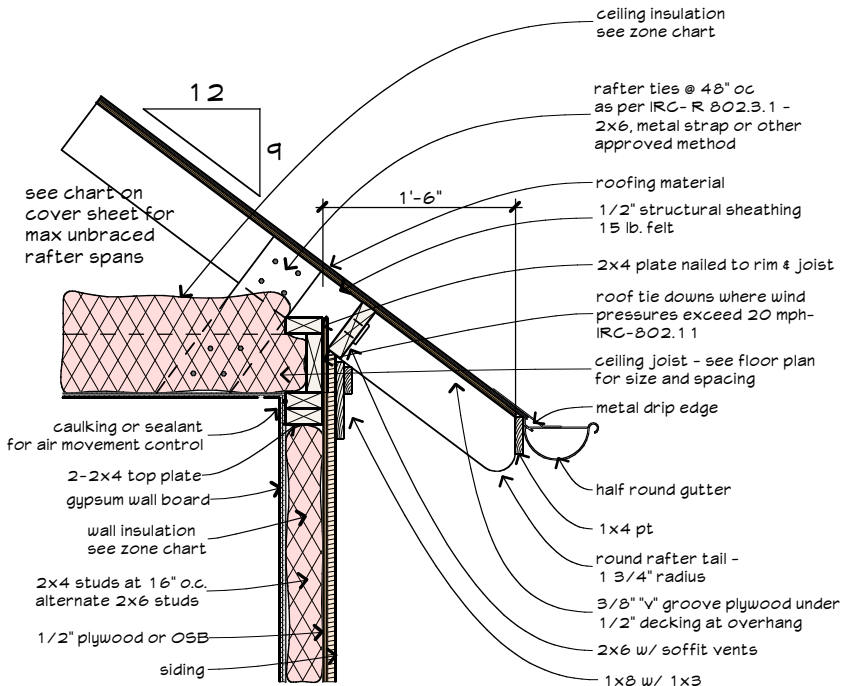


Alternate roof trusses to be raised chord trusses

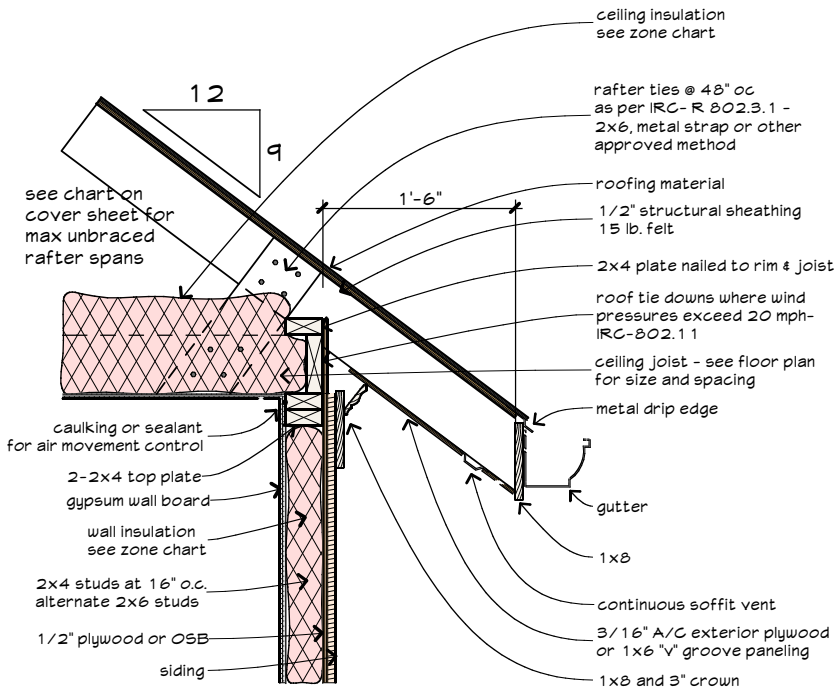
E 1 Typical Exposed Eave- rafters on joist

scale 1" = 1'-0"



Alternate roof trusses to be raised chord trusses

E 1 Typical Exposed Eave rafters on joist
scale 1" = 1'-0"

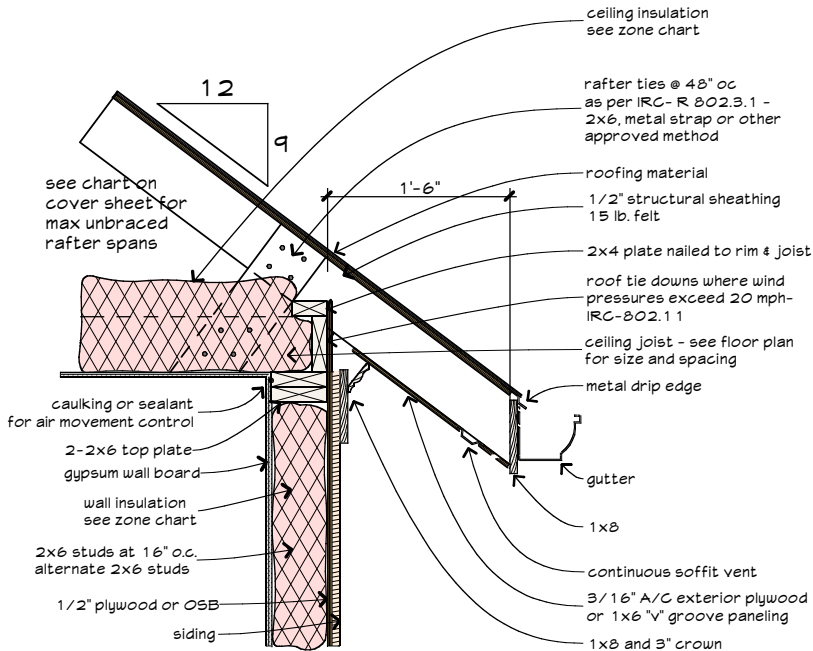


Alternate roof trusses to be raised chord trusses

E 1

Typical Boxed Eave- rafters on joist

scale 1"= 1'-0"



Alternate roof trusses to be raised chord trusses

E 1

Typical Boxed Eave- rafters on joist

scale 1" = 1'-0"